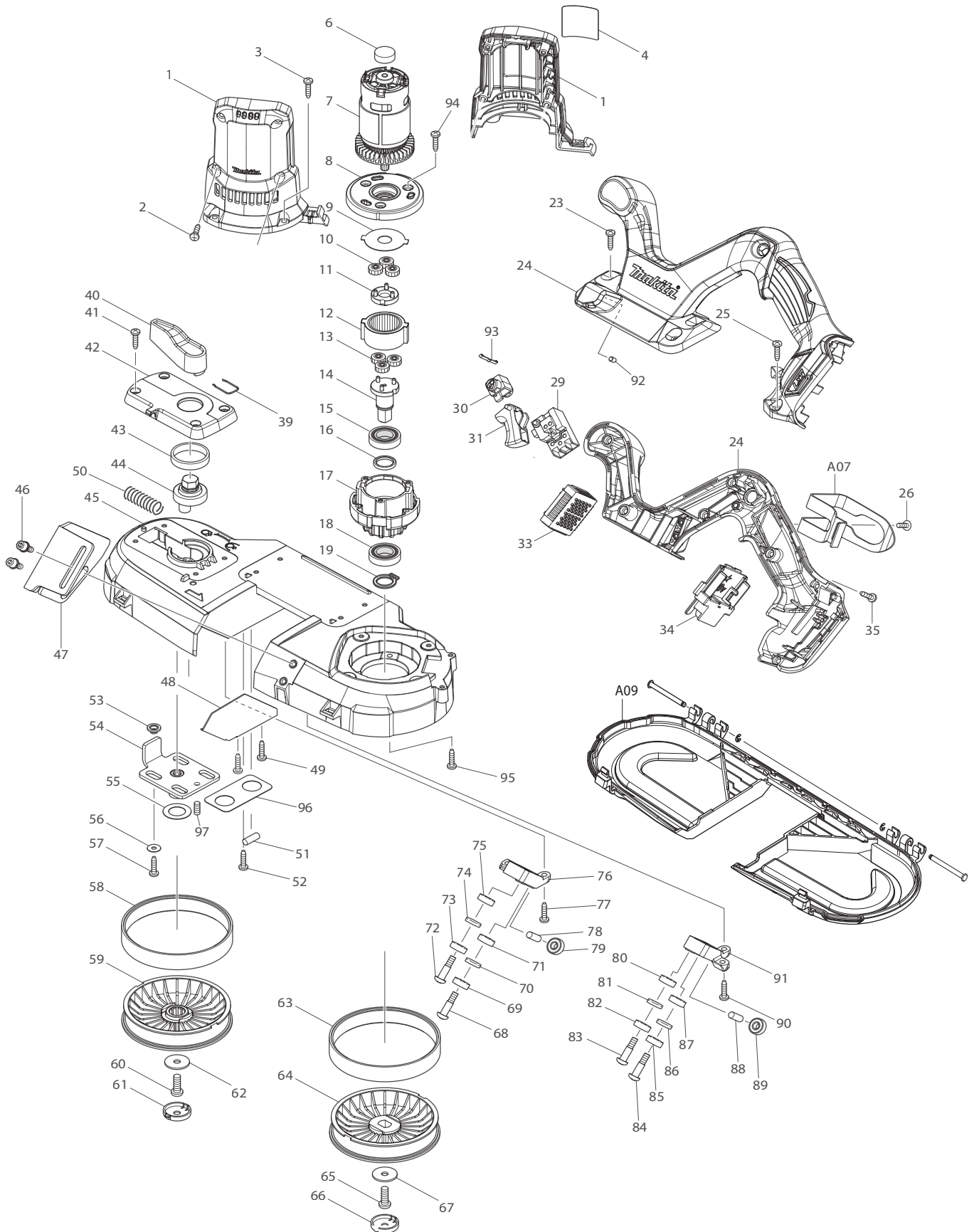




01 - 2014
DPB181RFE, DPB181Z
18V PORTABLE BAND SAW



Item No	Type	Part No	Description	Qty	Unit
1		187711-5	MOTOR HOUSING SET	1	SET
2		266326-2	TAPPING SCREW 4X18	4	PC.
3		266326-2	TAPPING SCREW 4X18	4	PC.
4		814X89-4	NAME PLATE F/DPB181	1	PC.
6		421940-3	CAP	1	PC.
7		629994-6	DC MOTOR	1	PC.
8		454650-7	GEAR HOUSING COVER	1	PC.
9		267855-8	LOCK WASHER	1	PC.
10		227331-4	SPUR GEAR 14	3	PC.
11		142355-8	SPUR GEAR 7 COMPLETE	1	PC.
12		227332-2	INTERNAL GEAR 36	1	PC.
13		227331-4	SPUR GEAR 14	3	PC.
14		142356-6	SPINDLE COMPLETE	1	PC.
15		211242-3	BALL BEARING 6902ZZ	1	PC.
16		257348-3	RING 15	1	PC.
17		454649-2	GEAR HOUSING	1	PC.
18		211242-3	BALL BEARING 6902ZZ	1	PC.
19		961055-9	RETAINING RING S-15	1	PC.
23		266326-2	TAPPING SCREW 4X18	4	PC.
24		187762-8	HANDLE SET	1	SET
	INC.	252126-6	HEX. LOCKING NUT M4-7	2	PC.
	INC.	263005-3	RUBBER PIN 6	2	PC.
25		266326-2	TAPPING SCREW 4X18	2	PC.
26		251314-2	+ SCREW M4X12	2	PC.
29		650705-8	SWITCH TG73BDS-1	1	PC.
30		419504-5	LOCK OFF BUTTON	1	PC.
31		454651-5	SWITCH LEVER	1	PC.
33		539218-1	CONTROLLER ASSEMBLY	1	PC.
	INC.	654199-9	RECEPTACLE	1	PC.
34		643899-6	TERMINAL	1	PC.
35		266326-2	TAPPING SCREW 4X18	7	PC.
39		231955-0	RING SPRING 12	1	PC.
40		272230-5	LEVER 54	1	PC.
41		266326-2	TAPPING SCREW 4X18	4	PC.
42		454614-1	LEVER HOLDER	1	PC.
43		214408-4	PLANE BEARING 30	1	PC.
44		326351-6	LEVER SHAFT	1	PC.
45		142686-5	FRAME COMPLETE	1	PC.
	INC.	802E58-3	CAUTION LABEL	1	PC.
46		922218-2	H.S.H.BOLT M5X14 WITH WR	2	PC.
47		346728-9	STOPPER PLATE	1	PC.
48		346729-7	PLATE	1	PC.
49		266326-2	TAPPING SCREW 4X18	2	PC.
50		234313-9	COMPRESSION SPRING 9	1	PC.
51		256033-5	PIN 6	1	PC.
52		266326-2	TAPPING SCREW 4X18	1	PC.
53		343494-9	SLEEVE 5	4	PC.
54		165738-5	SLIDE PLATE	1	PC.
55		267164-5	FLAT WASHER 15	1	PC.
56		253874-0	FLAT WASHER 4	4	PC.
57		266326-2	TAPPING SCREW 4X18	4	PC.
58		424589-8	RUBBER TIRE	1	PC.
59		142358-2	WHEEL COMPLETE B	1	PC.
60		265484-1	HEX. SOCKET HEAD BOLT M6X17	1	PC.
61		454730-9	CAP	1	PC.
62		253010-8	FLAT WASHER 6	1	PC.
63		424589-8	RUBBER TIRE	1	PC.
64		142357-4	WHEEL COMPLETE A	1	PC.
65		265484-1	HEX. SOCKET HEAD BOLT M6X17	1	PC.
66		454730-9	CAP	1	PC.
67		253010-8	FLAT WASHER 6	1	PC.
68		251337-0	+ PAN HEAD SCREW M5	1	PC.

Item No	Type	Part No	Description	Qty	Unit
69		210033-9	BALL BEARING 696ZZ	1	PC.
70		941152-7	FLAT WASHER 6	1	PC.
71		210033-9	BALL BEARING 696ZZ	1	PC.
72		251337-0	+ PAN HEAD SCREW M5	1	PC.
73		210033-9	BALL BEARING 696ZZ	1	PC.
74		941152-7	FLAT WASHER 6	1	PC.
75		210033-9	BALL BEARING 696ZZ	1	PC.
76		319075-1	UPPER HOLDER 42	1	PC.
77		266326-2	TAPPING SCREW 4X18	2	PC.
78		256033-5	PIN 6	1	PC.
79		210033-9	BALL BEARING 696ZZ	1	PC.
80		210033-9	BALL BEARING 696ZZ	1	PC.
81		941152-7	FLAT WASHER 6	1	PC.
82		210033-9	BALL BEARING 696ZZ	1	PC.
83		251337-0	+ PAN HEAD SCREW M5	1	PC.
84		251337-0	+ PAN HEAD SCREW M5	1	PC.
85		210033-9	BALL BEARING 696ZZ	1	PC.
86		941152-7	FLAT WASHER 6	1	PC.
87		210033-9	BALL BEARING 696ZZ	1	PC.
88		256033-5	PIN 6	1	PC.
89		210033-9	BALL BEARING 696ZZ	1	PC.
90		266326-2	TAPPING SCREW 4X18	2	PC.
91		319074-3	LOWER HOLDER 42	1	PC.
92		263002-9	RUBBER PIN 4	1	PC.
93		232201-4	LEAF SPRING	1	PC.
94		266326-2	TAPPING SCREW 4X18	3	PC.
95		266326-2	TAPPING SCREW 4X18	3	PC.
96		346798-8	PROTECTION PLATE	1	PC.
97		266213-5	H.S.SET SCREW(FLAT POINT)M5X12	1	PC.
100		802E58-3	CAUTION LABEL	1	PC.

ACCESSORIES

- See Catalogue or visit www.makita.ca for more accessories -

A01		783202-0	HEX. WRENCH 4	1	PC.
A02		B-40559	COMPACT BAND SAW BLADE, BI-METAL, 18TPI, 5/PK	1	PK.
		B-40543	COMPACT BAND SAW BLADE, BI-METAL, 14TPI, 5/PK	1	PK.
		-----	BAND SAW BLADE		
A03		-----	BATTERY CHARGER		
A04		-----	18V LI-ION BATTERY		
A05		-----	LI-ION BATTERY ACCESSORIES		
A06		821007X	TOOL BAG	1	PC.
A07		345736-7	HOOK	1	PC.
A08		191897-9	CUTTING WAX	1	PC.
A09		196585-3	WHEEL COVER SET	1	PC.
	INC.	256689-4	PIN 4	2	PC.
	INC.	961017-7	STOP RING	2	PC.
A10		194026-3	BAND SAW STAND(SEE #194026-3 PARTS BREAKDOWN)	1	PC.